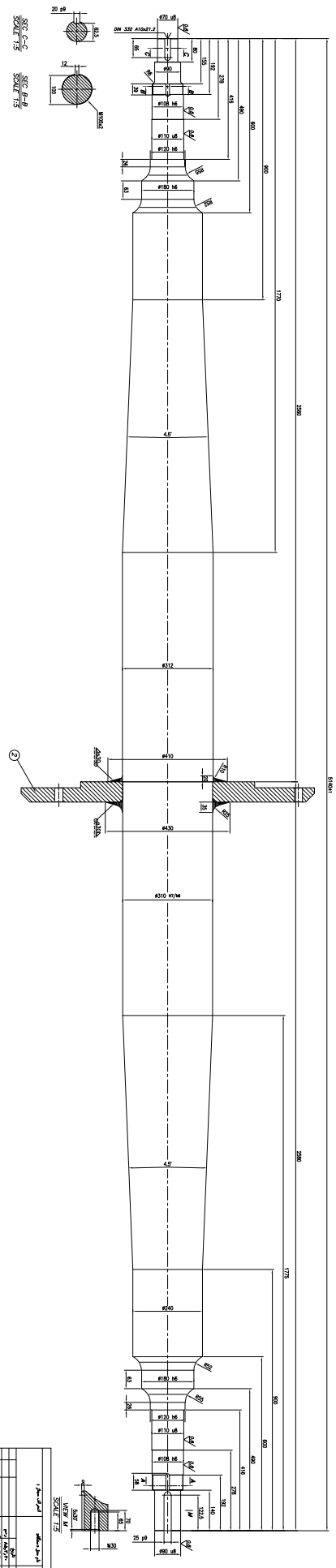


NOTES:  
 - DRAWN TO DIMENSIONS (UNLESS OTHERWISE SPECIFIED)  
 - ALL DIMENSIONS ARE IN MILLIMETERS UNLESS OTHERWISE SPECIFIED  
 - DIMENSIONS OF PAPER DRAWING IS NOT TO SCALE (ONLY FOR REFERENCE)



REV	DATE	BY	CHKD	DESCRIPTION
01	2024-11-15	J.P.	J.P.	ISSUE FOR MANUFACTURE
02	2024-11-15	J.P.	J.P.	REVISION: CHANGE DIMENSIONS

PROJECT: [REDACTED]  
 DRAWING NO: [REDACTED]  
 SHEET NO: [REDACTED]  
 TOTAL SHEETS: [REDACTED]